

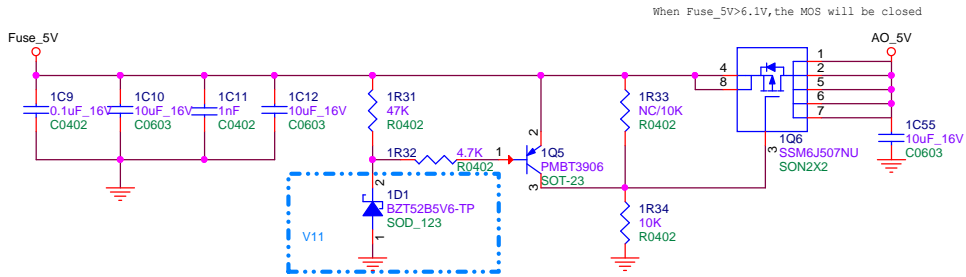


KHADAS

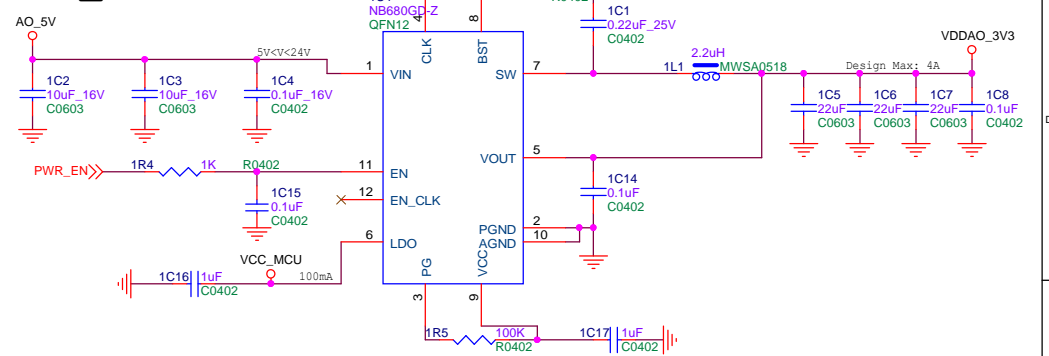
Something a little different.

Shenzhen Wesion Technology Co., Ltd.			
Project:	VIM1S		
File:	00_Khadas		
Date:	Tuesday, June 28, 2022	Rev:	V11
Designed_by:	Totti	Sheet:	0

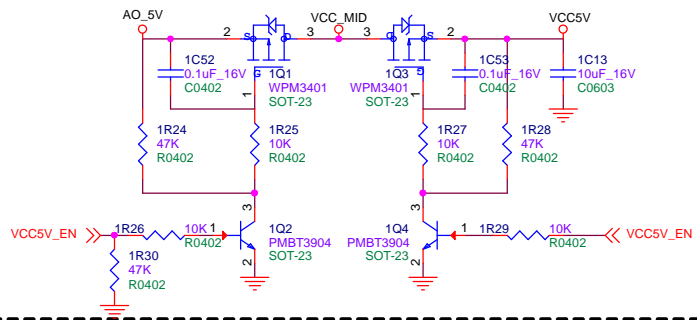
OVP AO5V



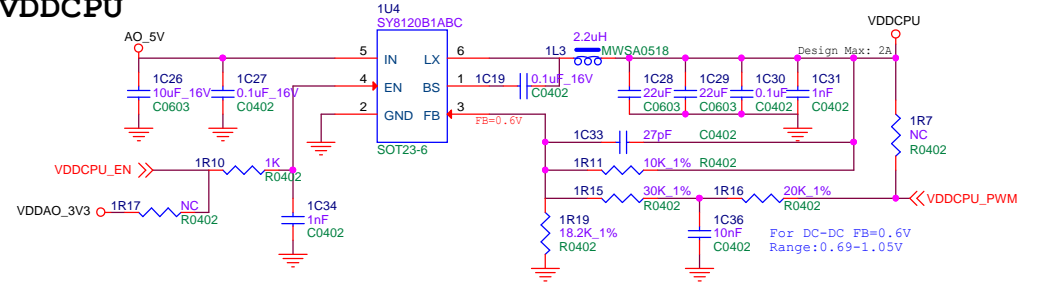
VDDAO_3V3



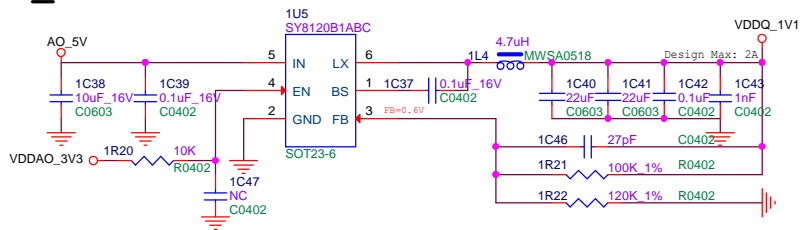
VCC5V



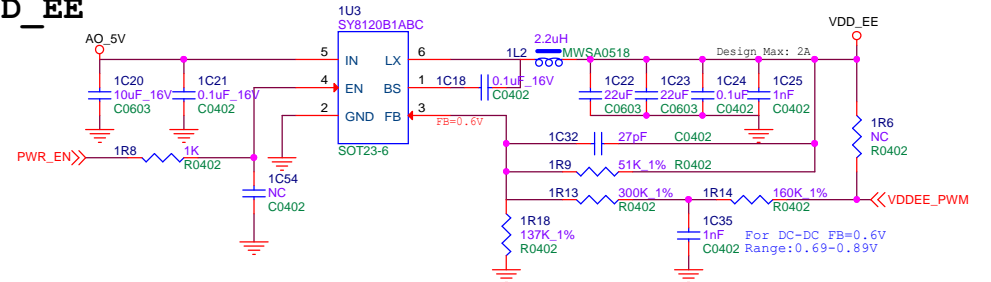
VDDCPU



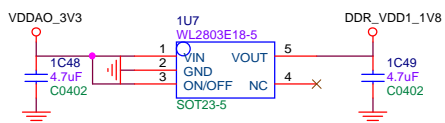
VDDQ_1V1



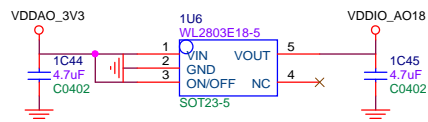
VDD_EE



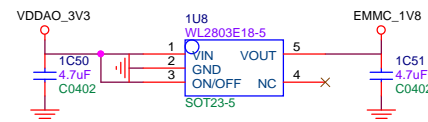
DDR_VDD1_1V8



VDDIO_AO18



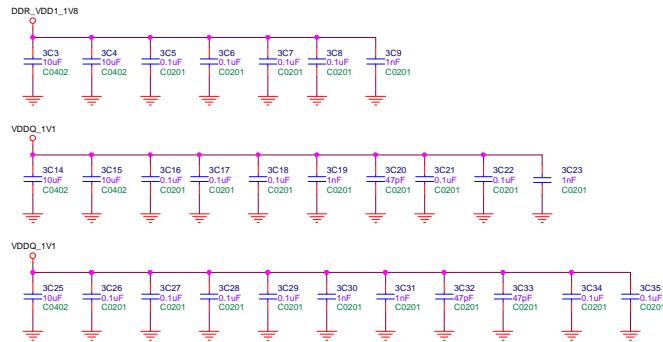
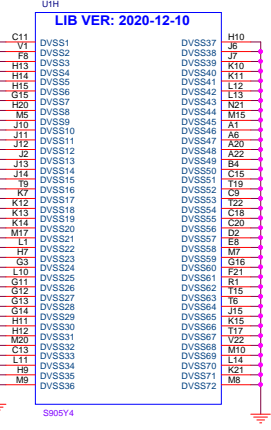
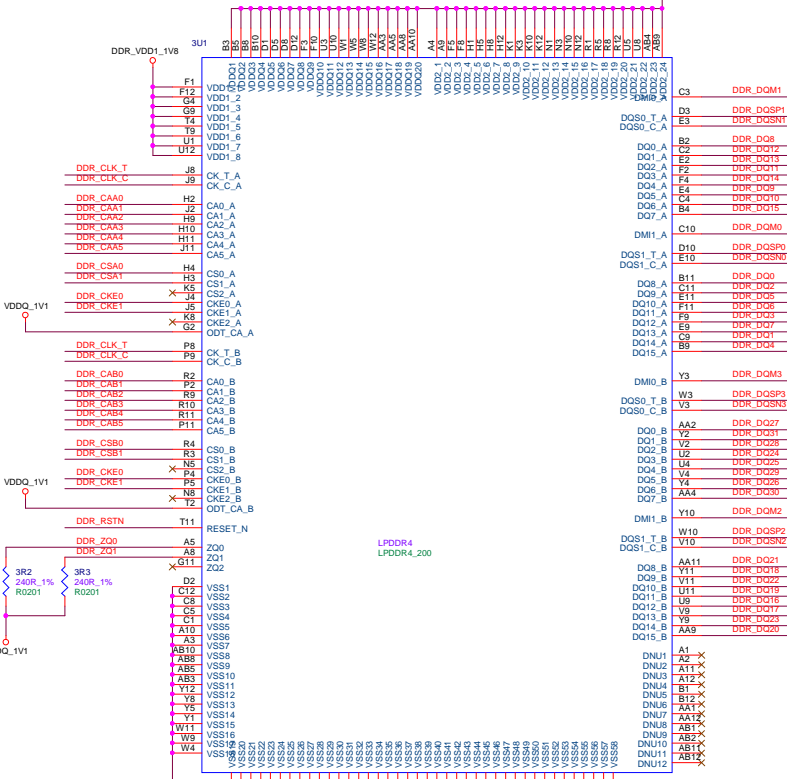
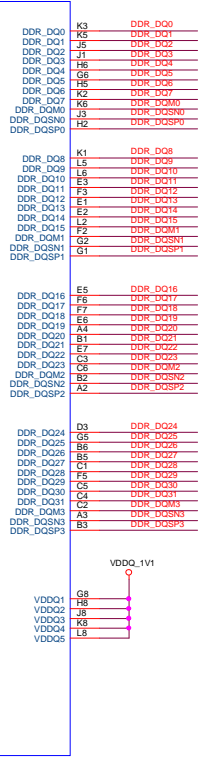
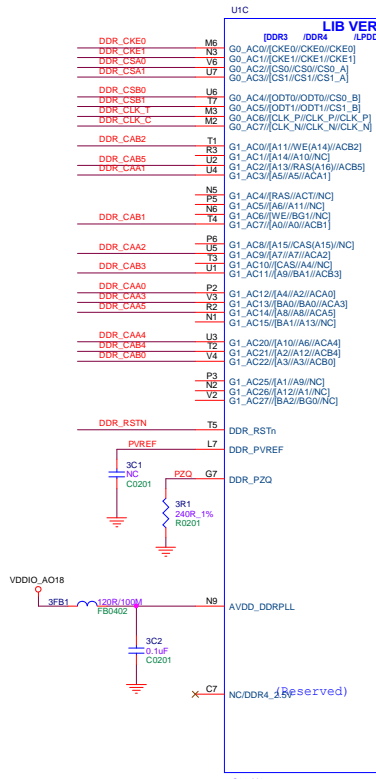
EMMC_1V8



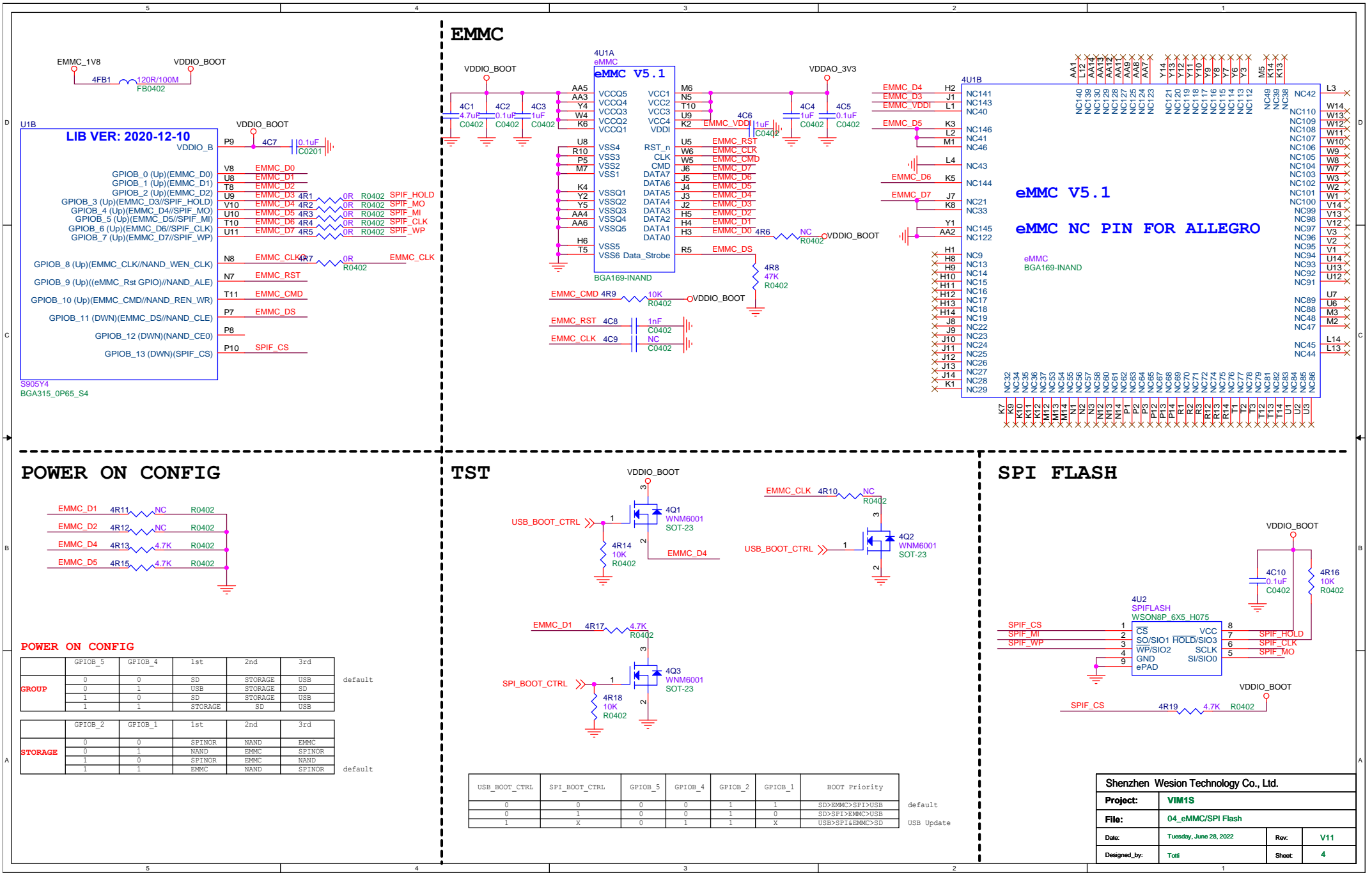
Shenzhen Wesion Technology Co., Ltd.

Project:	VIM1S		
File:	01_POWER		
Date:	Tuesday, June 28, 2022	Rev:	V11
Designed_by:	Toti	Sheet:	1

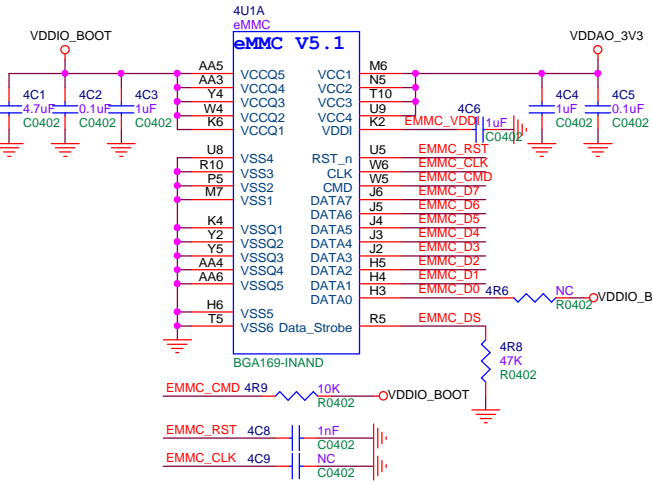
32bits LPDDR4x1



Shenzhen Wesion Technology Co., Ltd.			
Project:	V1M15		
File:	03_LPDDR4X		
Date:	Tuesday, June 28, 2022	Rev:	V11
Designed by:	Tot	Sheet:	3



EMMC

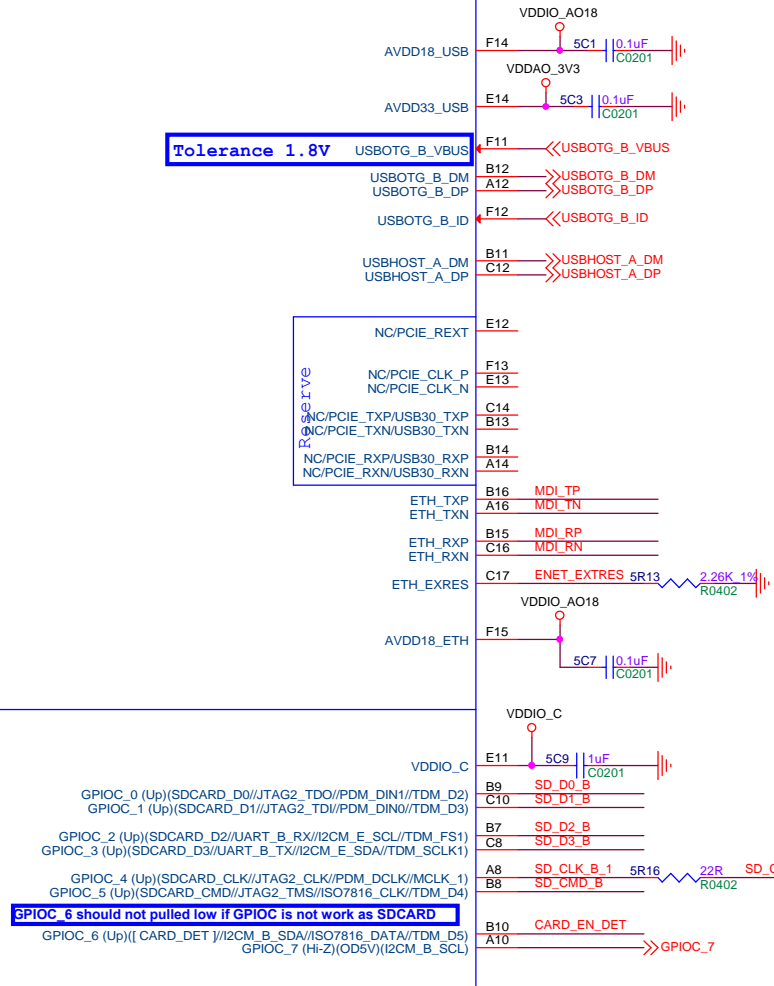


U1E

LIB VER: 2020-12-10

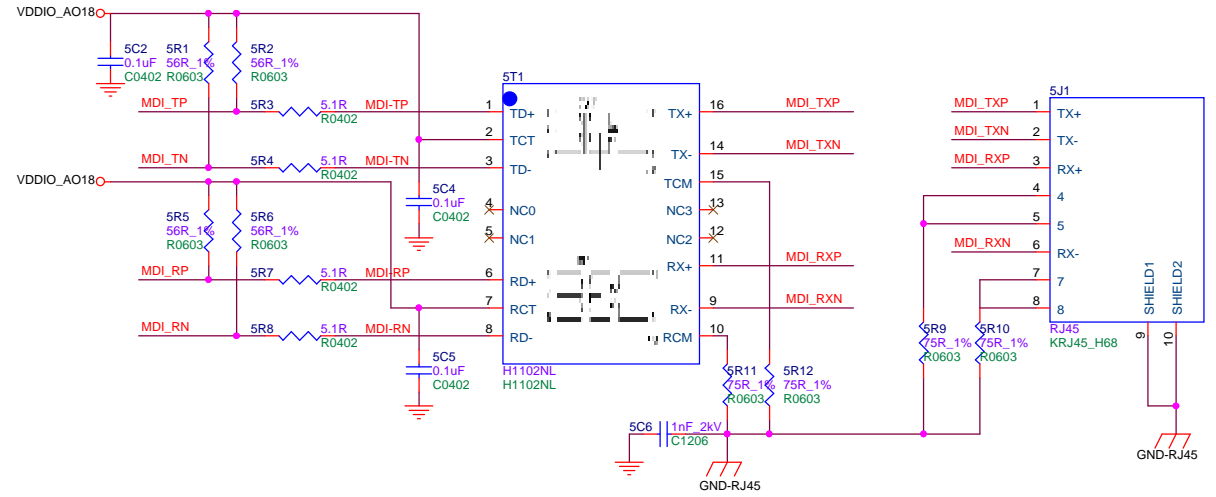
Tolerance 1.8V

Receive

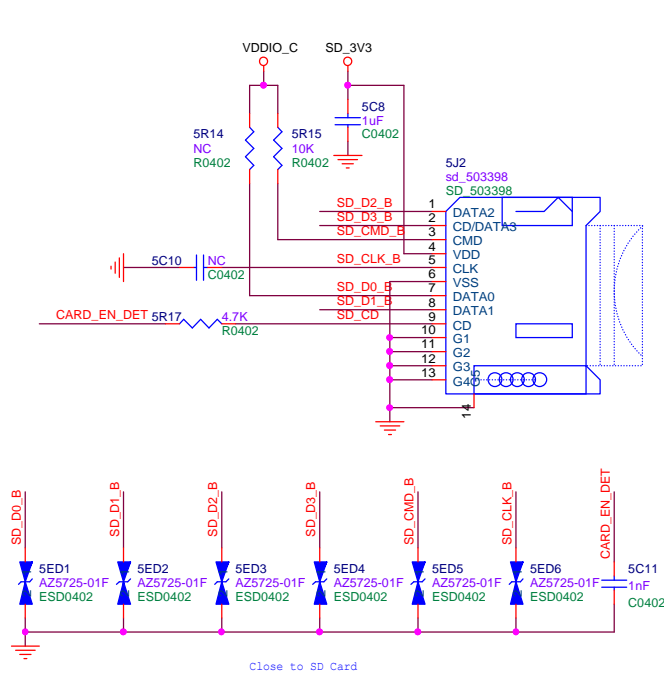


S905Y4 BGA315_0P65_S4

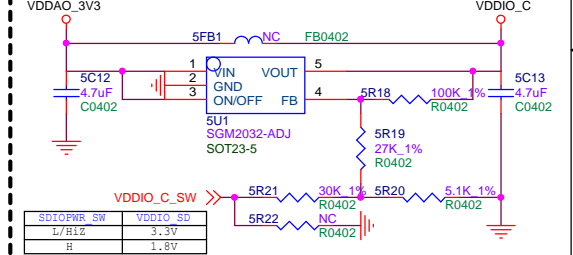
LAN



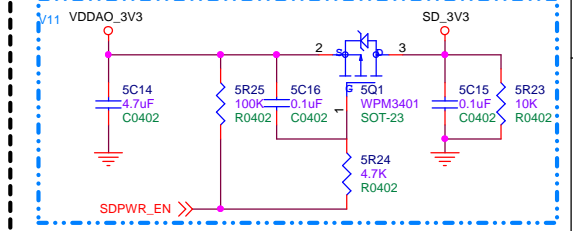
TF CARD



VDDIO_C PWR

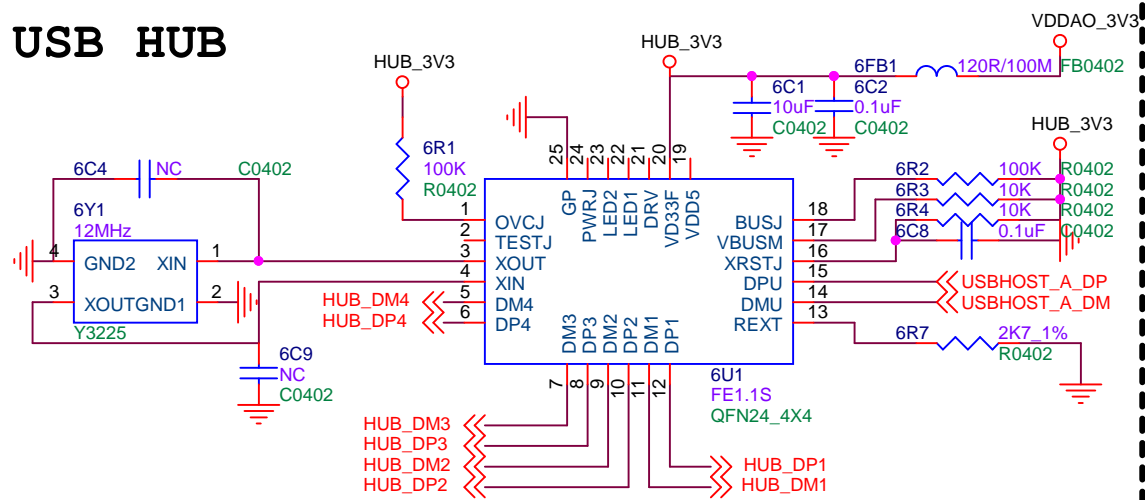


SD PWR

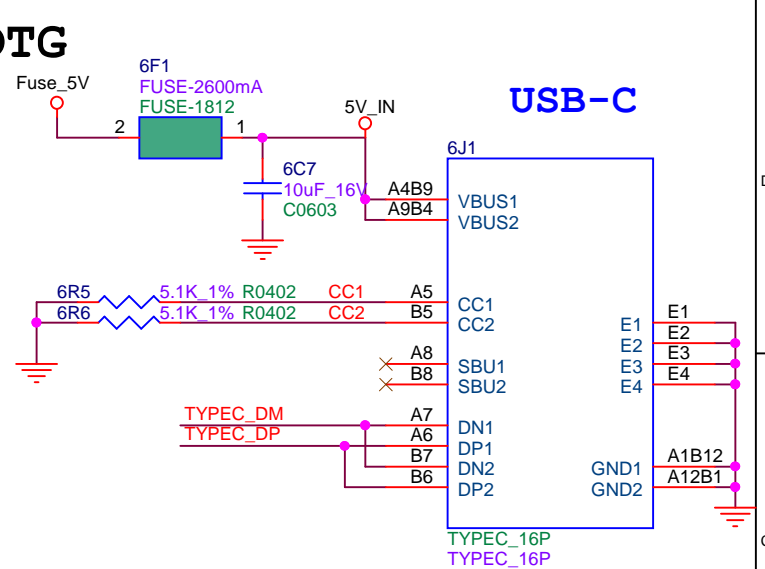


Shenzhen Wesion Technology Co., Ltd.			
Project:	VIM15		
File:	05_ETH/SD CARD		
Date:	Tuesday, June 28, 2022	Rev:	V11
Designed_by:	Troti	Sheet:	5

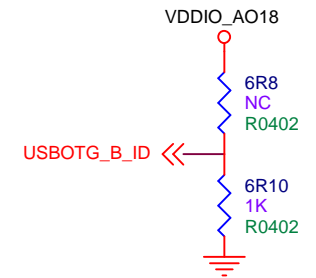
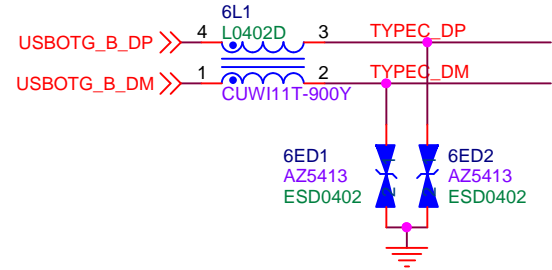
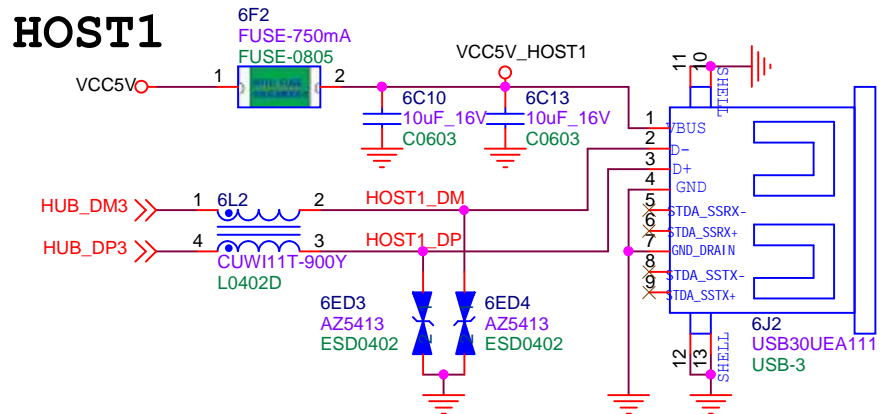
USB HUB



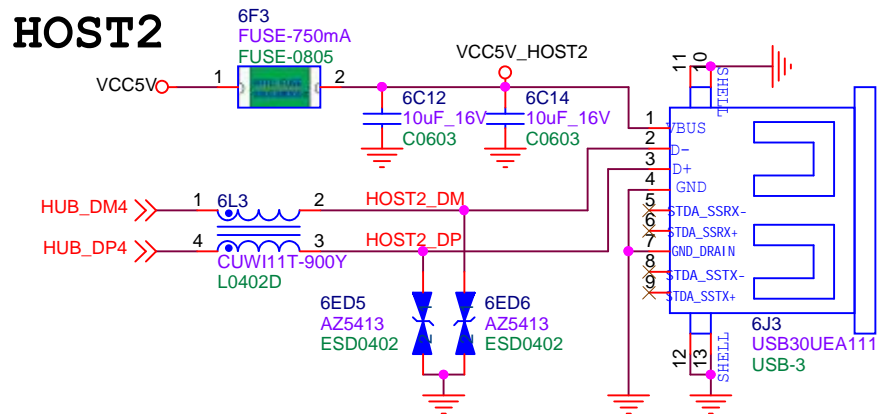
OTG



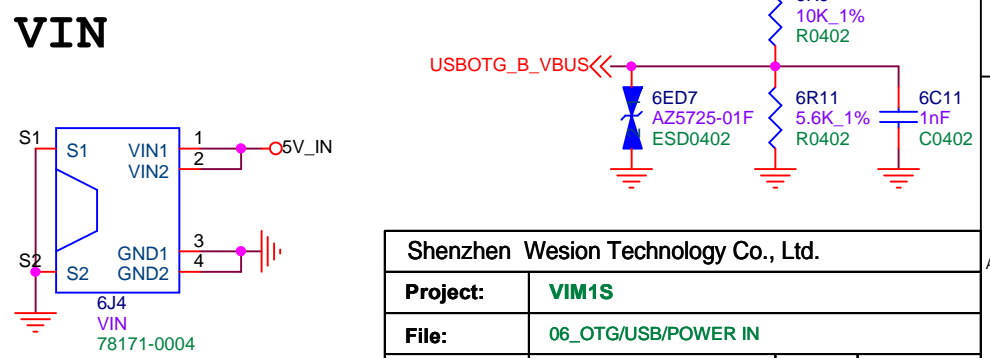
HOST1



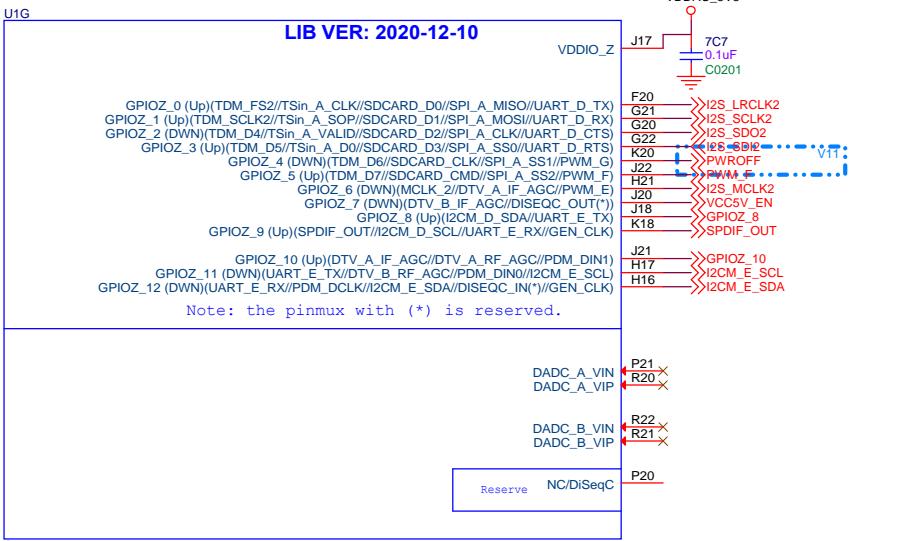
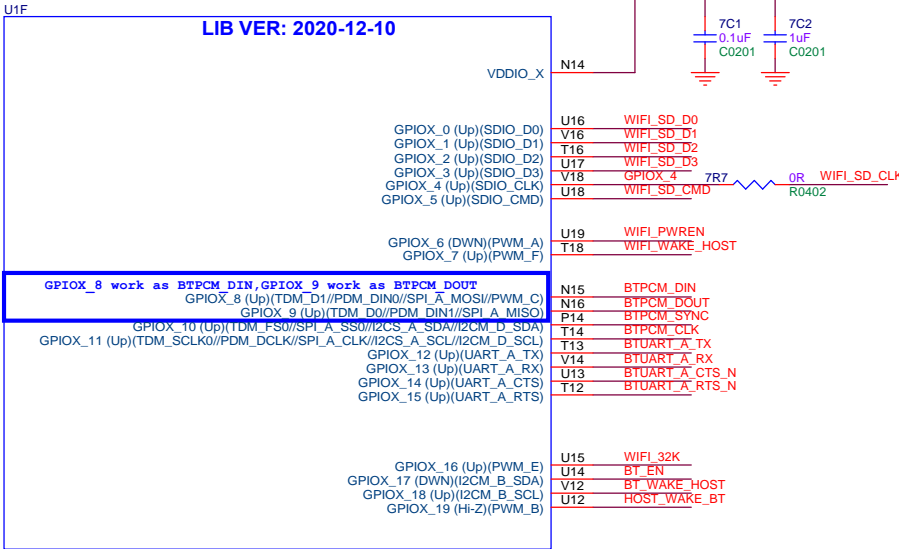
HOST2



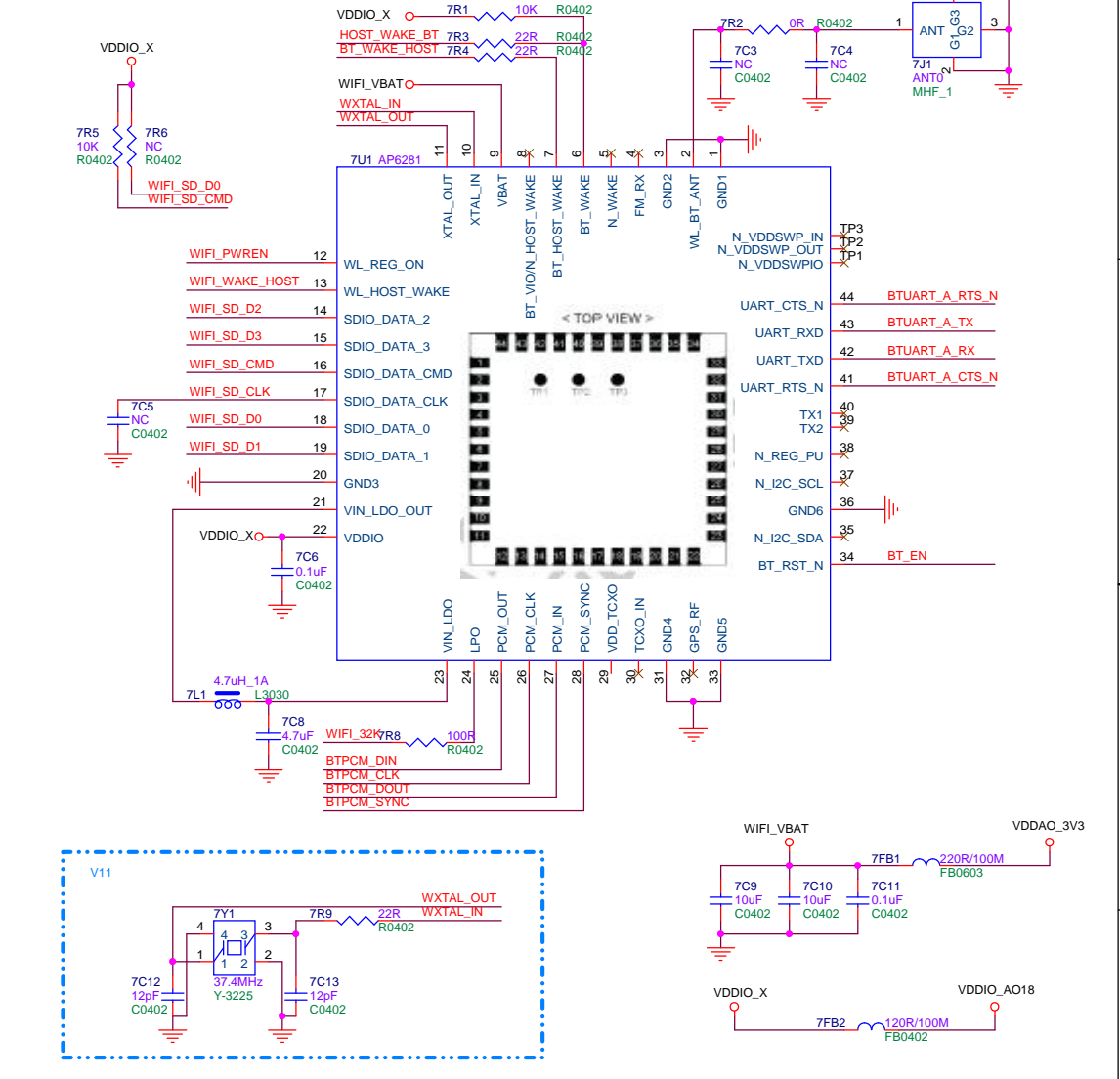
VIN



Shenzhen Wesion Technology Co., Ltd.			
Project:	VIM1S		
File:	06_OTG/USB/POWER IN		
Date:	Tuesday, June 28, 2022	Rev:	V11
Designed_by:	Totti	Sheet:	6

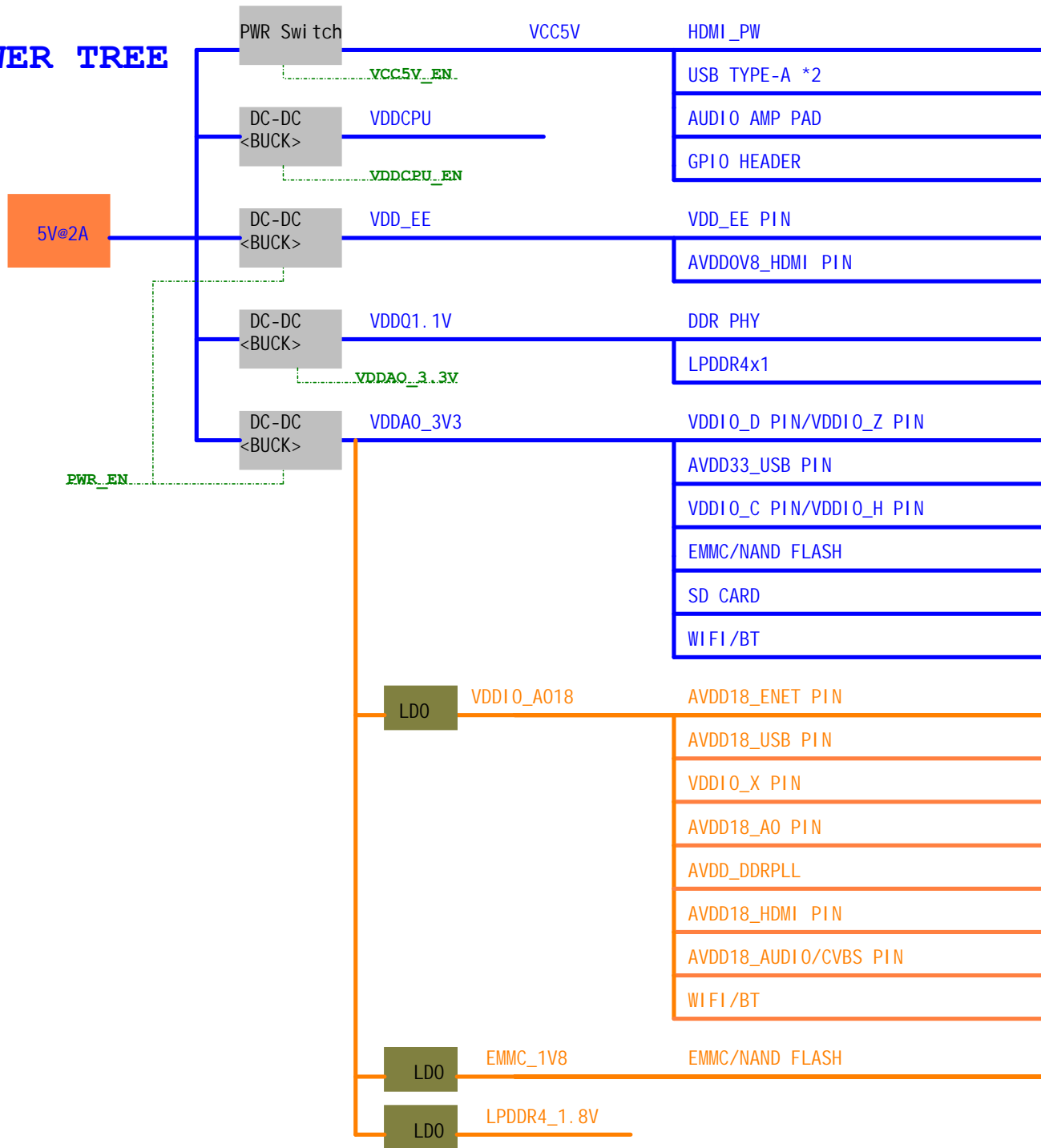


WIFI/BT

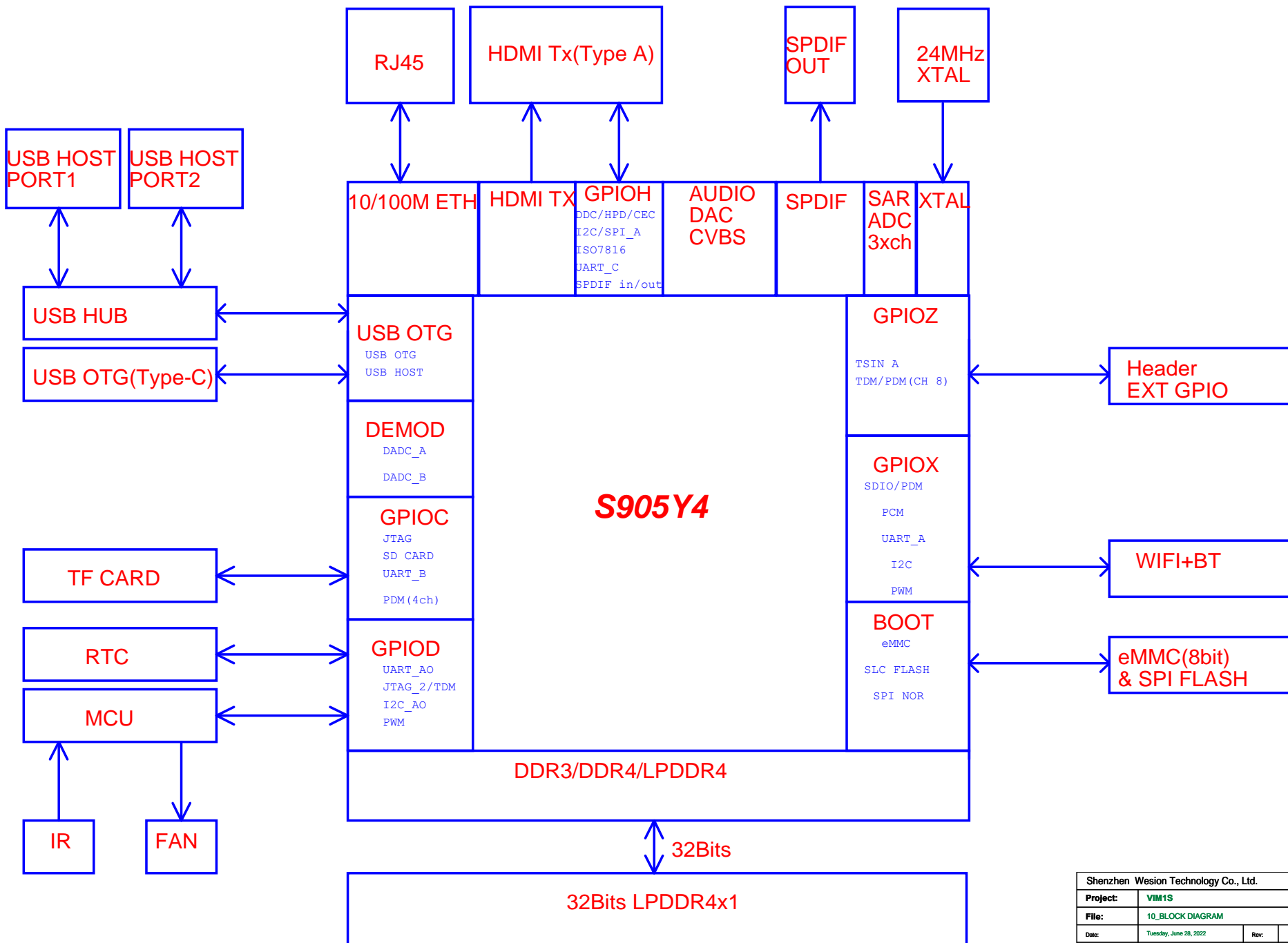


Shenzhen Wesion Technology Co., Ltd.			
Project:	VIM1S		
File:	07_WIFI/BT		
Date:	Tuesday, June 28, 2022	Rev:	V11
Designed_by:	Toti	Sheet:	7

POWER TREE



Shenzhen Wesion Technology Co., Ltd.			
Project:	VIM1S		
File:	09_POWER TREE		
Date:	Tuesday, June 28, 2022	Rev:	V11
Designed_by:	Totti	Sheet:	9



Shenzhen Wesion Technology Co., Ltd.			
Project:	VIM1S		
File:	10_BLOCK DIAGRAM		
Date:	Tuesday, June 28, 2022	Rev:	V11
Designed_by:	Toll	Sheet:	10